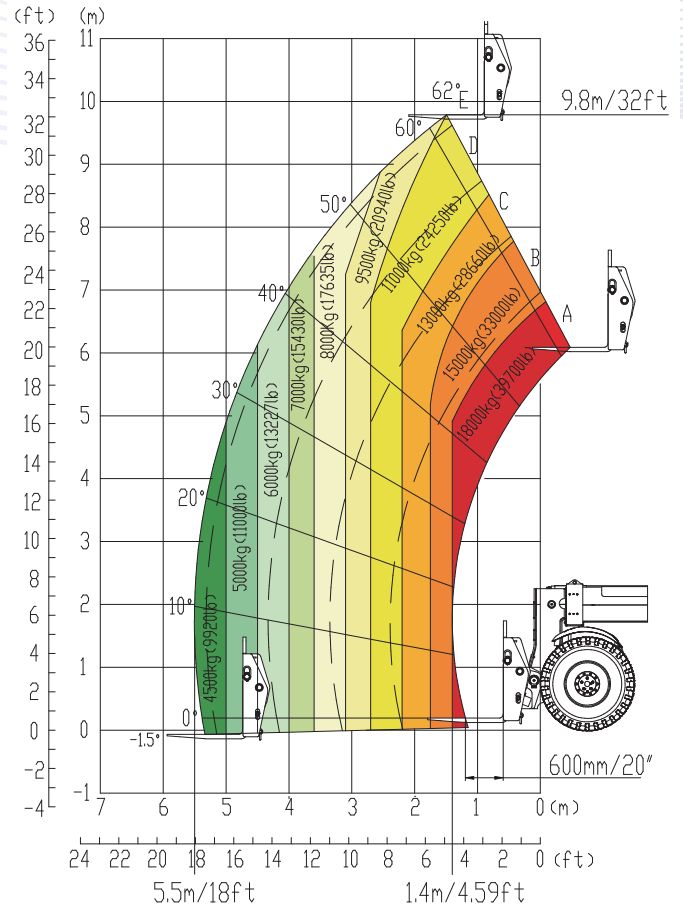


TELEHANDLERS XT18010K

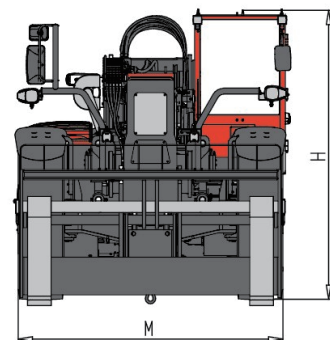
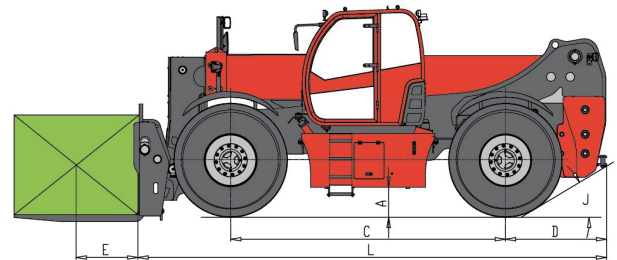


▶ LOAD CHART



▶ STATIC DIMENSION

Dimensions		Metric	Imperial
Min. ground clearance	A	440mm	1.44ft
Front overhang	B	—	—
Wheel base	C	3750mm	12.3ft
Rear overhang	D	1583mm	5.19 ft
Load center distance	E	600mm	1.97ft
Overall length	L	6670mm	21.88ft
Overall height	H	3015mm	9.89ft
Overall width	M	2500mm	8.2ft
Approach angle	I	—	—
Departure angle	J	30°	30°



XT18010K

▶ PARAMETER

Parameter	Metric	Imperial
Dimension		
Overall length (without fork)	6670mm	21.88ft
Overall width	2500mm	8.2ft
Overall height	3015mm	9.89ft
Wheel base	3750mm	12.3ft
Track width	2050mm	6.73ft
Min. ground clearance	440mm	1.44ft
Fork dimensions	1200×200×80mm	42.24×7.87×3.15in
Weight and Tires		
Machine weight (with fork)	24500kg	54013lb
Tire specification	16.00R25	
Performance		
Rated load	18000kg	3968lb
Load center distance	600mm	1.97ft
Max. lifting height (to upper plane of forks)	9.8m	32ft
Lift capacity at max. lifting height	9500kg	20940lb
Max. outreach	5.5m	18ft
Lift capacity at max. outreach	4500kg	9920lb
Boom lifting time	≤ 21s	
Boom lowering time	≤ 18s	
Boom extension time	≤ 22s	
Boom retraction time	≤ 20s	
Fork dump time	≤ 10s	
Fork crowd time	≤ 8s	
Boom lifting range	0°~68°	
Fork tilt angle range (boom being horizontal)	-12°~105°	
Max. travel speed	≥ 25 km/h	≥ 15.5mph
Max. traction force	≥ 147kN	
Min. turning radius	≤ 4800 mm	≤ 15.75ft
Frame leveling angle	± 10°	
Power System		
Power source	Diesel Engine	
Brand/Model	Cummins QSF4.5	
Number of cylinders	4	
Rated Power	125kW	168hp
Emission standard	Stage IV	
Rated Speed	2200r/min	
Max. torque/rpm	670N.m@1500RPM	494lb-ft@1500RPM
Fuel tank capacity	300L	79gal
Transmission system		
Numbers of gears (forward/reverse)	2/2	
Transmission type	Hydrostatic transmission	
Steer mode	4-wheel steer	
Drive mode	4×4	
Hydraulic system		
Hydraulic pump type	Plunger pump	
Hydraulic system pressure	35Mpa	
Hydraulic system flow	220L/min	
Hydraulic tank capacity	320L	85gal

▶ STANDARD CONFIGURATION

- Cab
 - Air conditioning
 - Adjustable suspension seat
 - Seat belt unfastened detection function
 - Multifunctional proportional handle
 - Anti-overturning system (force-limiter)
 - Emergency stop switch
 - Revolving alarm light
 - Three-color alarm light
 - Reversing buzzer
 - Reversing camera
 - 7-inch display
 - Adjustable steering wheel
 - Wipers
 - Horn
 - Radio
 - Cigarette lighter
 - Cup holder
 - Emergency hammer
 - Fire extinguisher
- Frame
 - Wet brake system
 - Floating shock absorption system
 - Multi-mode steering function
 - Frame tilting function
- Boom
 - Boom synchronous telescopic function
 - Length Angle real-time feedback system
 - Automatic fork leveling
 - Manual quick coupler

▶ OPTIONAL CONFIGURATION

- Fuel oil heating system

▶ OPTIONAL ATTACHMENTS

- Fork (1.2m)
- Bucket